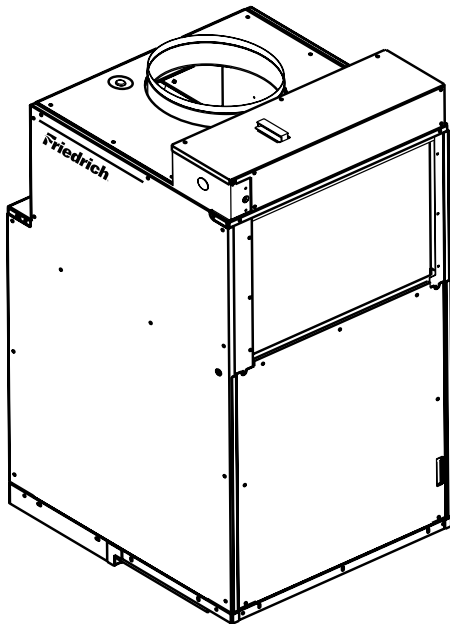


# **Friedrich**

## *2007 Parts Manual*



### **Vert-I-Pak<sup>®</sup>**

---

**Single Package Vertical Air Conditioning System**

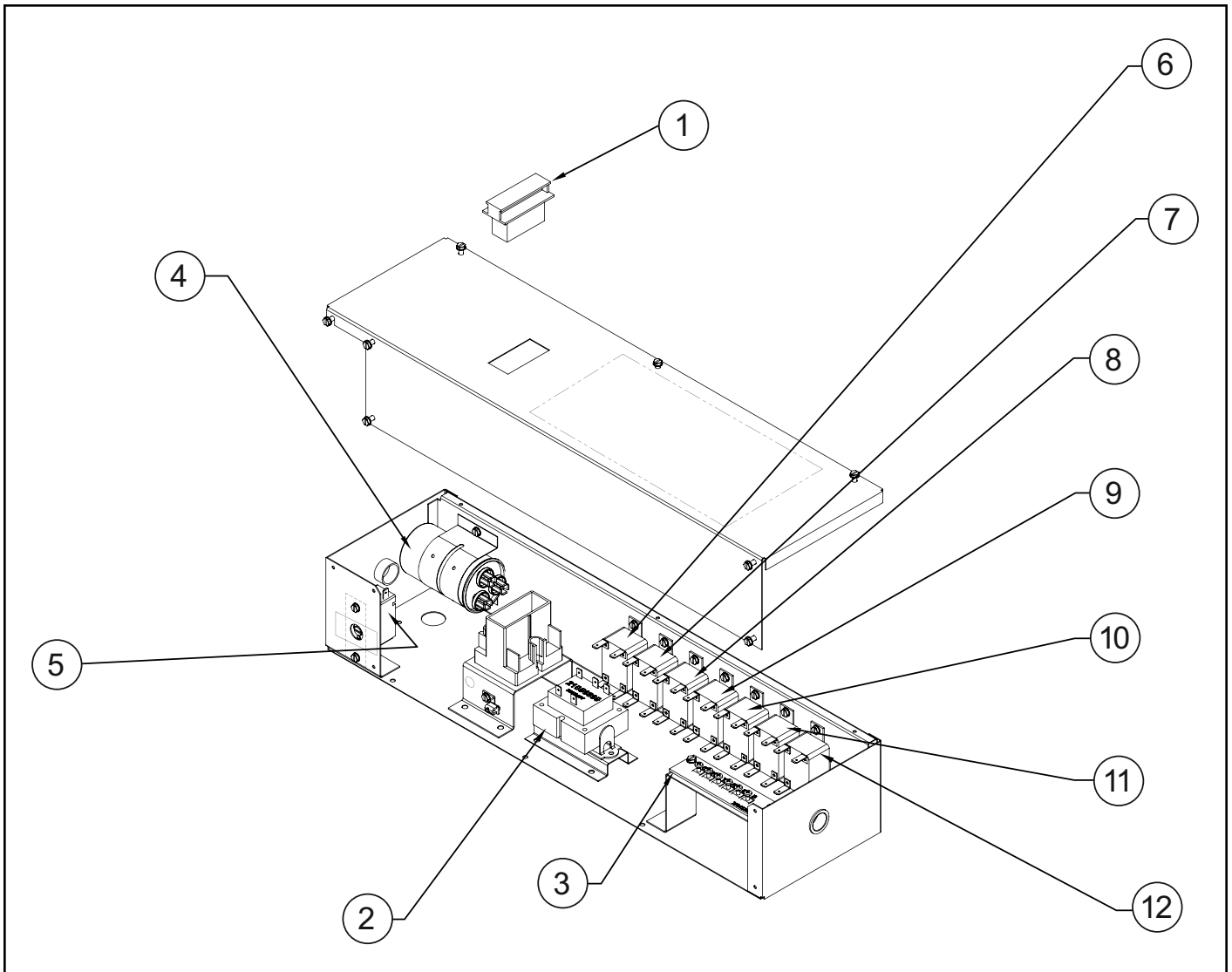
**A Series / 24,000 BTU/h**

# Table of Contents

Model Number Identification Guide .....	2
Control Box Diagram and Parts List .....	3
Refrigeration Diagram .....	4
Refrigeration Parts List .....	5
Blower Assembly Diagram.....	6
Blower Assembly Parts List .....	7

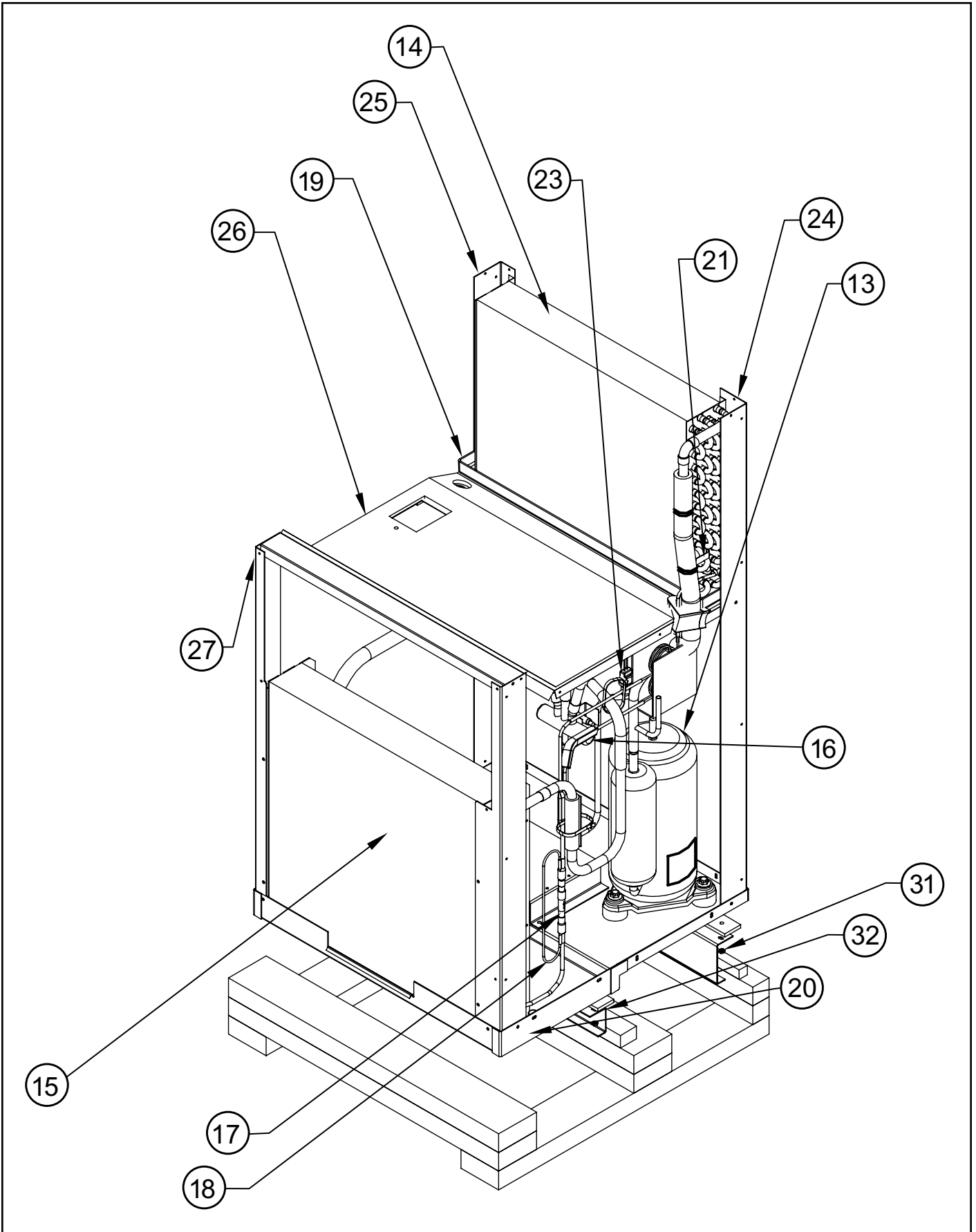
Vert-I-Pak® Model Identification Guide									
MODEL NUMBER	V	E	A	24	K	50	RT	H-A	COMPR. CODE
<b>SERIES</b> V=Vertical Series									<b>ENGINEERING CODE</b>
E =Cooling with electric heat H =Heat Pump									<b>OPTIONS</b> RT = Standard Remote Operation
<b>DESIGN SERIES</b> A = 32"/47" Cabinet									<b>ELECTRIC HEATER SIZE</b> <u>A Series</u> 25 = 2.5 KW 34 = 3.4 KW 50 = 5.0 KW* 75 = 7.5 KW** Refer to electrical data chart for heater/unit compatibility. * Not available on 9000 BTU models. ** 24000 BTU only.
<b>NOMINAL CAPACITY</b> <u>A Series (Btu/h)</u> 24 = 24,000									
<b>VOLTAGE</b> K = 208/230V-1Ph-60Hz									

# Control Box Assembly



REF.	PART NO.	DESCRIPTION	E	H	NOTES
1	80007600	Non Fused Disconnect	1	1	
2	21056899	Transformer 208/230V Prim. 24V Sec.	1	1	
3	25043201	Terminal Board	1	1	
4	61080529	Capacitor 40/7.5 MFD @ 400 V	1	1	
5	80110601	Defrost Thermostat (Heat Pump Only)	-	1	
6	60084033	Compressor Relay	1	1	
7	60084033	Fan Relay	1	1	
8	60084033	Reversing Valve Relay	-	1	
9	60084033	Heat Relay 2.5/3.4/5.0 KW	1	1	
10	60084033	Heat Relay 2.5/3.4/5.0 KW	1	1	
11	60084033	Heat Relay 7.5/10 KW	1	1	
12	60084033	Heat Relay 7.5/10 KW	1	1	

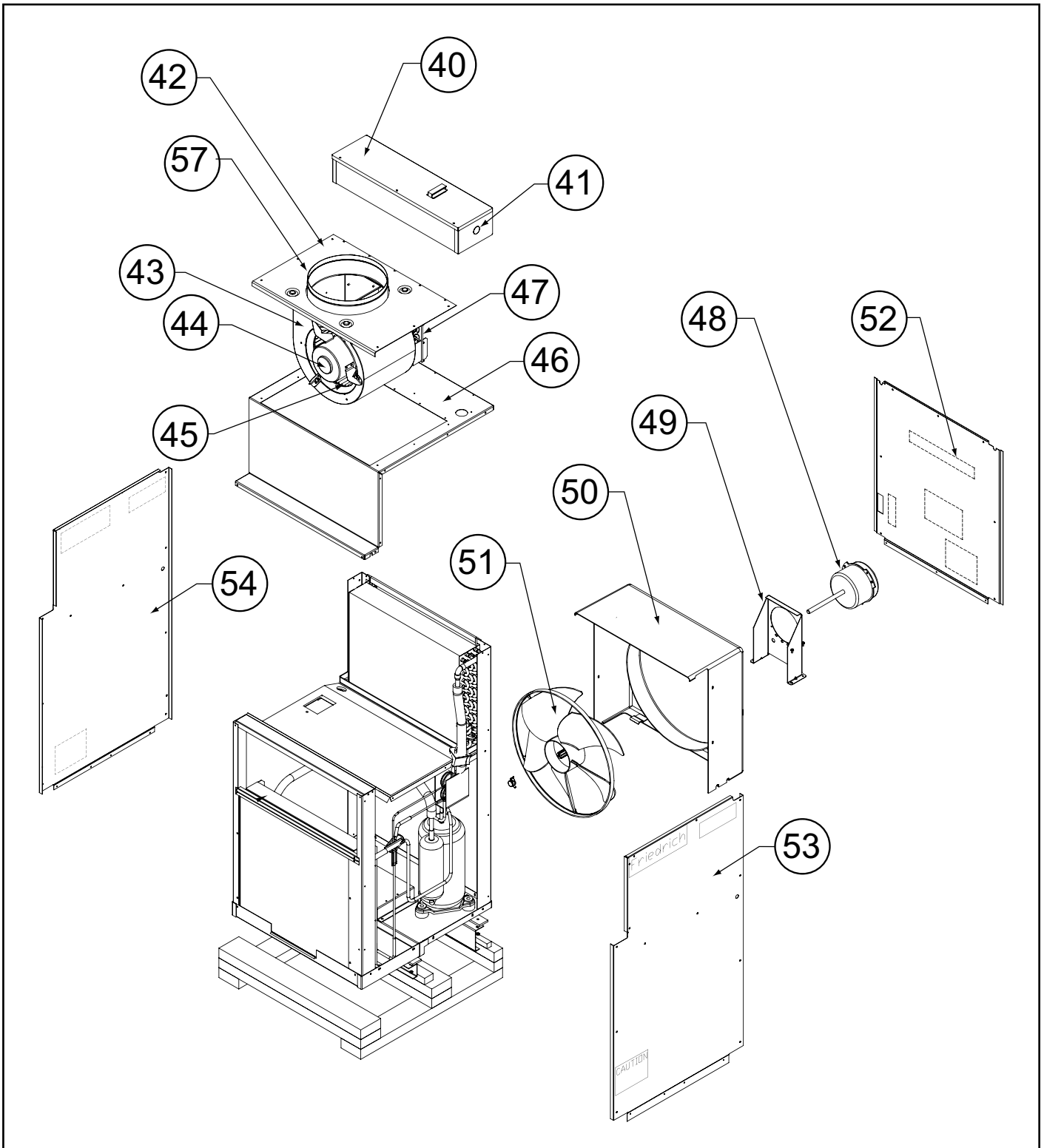
# Refrigeration



REF.	PART NO.	DESCRIPTION	E	H	NOTES
13	25024925	Compressor	1	1	
14	80103400	Indoor Coil	1	1	
15	80101200	Outdoor Coil	1	1	
15	80101201	Outdoor Coil Sea Coast	1	1	
16	25022032	Reversing Valve Kit w/ Solenoid Coil	-	1	
N/S	25022080	Reversing Valve Solenoid Coil 230 V	-	1	
17	25076000	Check Valve	-	1	
18	03760511	Cap tube	2	-	
18	03760473	Cap tube		1	
18	03760507	Cap tube		1	
19	80100300	Drain Pan	1	1	
20	80115222	Base Pan	1	1	
21	21059023	Low Ambient Control (Suction Line Thermostat)	1	1	
22	60179903	Condensate Valve	1	1	
23	80112700	High Pressure Switch	1	1	
24	80101600	Right Post Upper	1	1	
25	80101500	Left Post Upper	1	1	
26	80106201	Inner Wall	1	1	
27	80101300	Lower Left Post	1	1	
N/S	80101400	Lower Right Post	1	1	
29	61834801	Strainer	1	1	
N/S	80108500	Drain Pan Tube	1	1	
31	80113500	Bracket Base Long	1	1	
32	80113501	Bracket Base Med	1	1	
N/S	80113600	Bracket Base Short	1	1	

**N/S=Not Shown**

# Blower Assembly



REF.	PART NO.	DESCRIPTION	E	H	NOTES
40	80103300	Control Box Cover	1	1	
41	80102000	Control Box	1	1	
42	80113200	Top Cover	1	1	
43	80103200	Blower wheel and housing (Not Separate)	1	1	
44	80106900	Blower Motor	1	1	
45	80103600	Blower Bracket	2	2	
46	80106701	Insulated Top Assembly	1	1	
47	80102290	Heater Assembly 2.5 KW	1	1	2.5 KW Models
47	80102291	Heater Assembly 3.4 KW	1	1	3.4 KW Models
47	80102292	Heater Assembly 5.0 KW	1	1	5.0 KW Models
47	80102293	Heater Assembly 7.5 KW	1	1	7.5 KW Models
47	80102294	Heater Assembly 10.0 KW	1	1	10.0 KW Models
N/S	80114601	Limit (Secondary) 2.5 / 3.4 / 5.0 / 7.5 / 10.0 KW	1	1	
N/S	80114600	Limit (Primary) 2.5 / 3.4 / 5.0 KW	1	1	
N/S	80114602	Limit (Primary) 7.5 / 10.0 KW	1	1	
48	80102170	Condenser Fan Motor	1	1	
49	25014400	Motor Mount	1	1	
50	80101000	Fan Shroud	1	1	
51	60542007	16" Plastic Fan Blade	1	1	
52	80106600	Back Panel Insulated	1	1	
53	80106400	Right Side Panel	1	1	
54	80106500	Left Side Panel	1	1	
N/S	80102600	Heater Bracket	1	1	
N/S	80113300	Heater Support	1	1	
57	80001800	Collar	1	1	
N/S	20709185	Capacitor Bracket	1	1	
N/S	01336910	Blower Spacer	4	4	
N/S	61080543	Blower Capacitor 15/5/ MFD @ 370 V	1	1	

**N/S=Not Shown**

**Use Factory Certified Parts.**

***Friedrich***<sup>®</sup>

**FRIEDRICH AIR CONDITIONING CO.**

Post Office Box 1540 · San Antonio, Texas 78295-1540

4200 N. Pan Am Expressway · San Antonio, Texas 78218-5212

(210) 357-4400 · Fax (210) 357-4480

[www.friedrich.com](http://www.friedrich.com)

Printed in the U.S.A.

VPAK2T-07 (12-07)